



## GEWA-C CONDENSER TUBES

### APPLICATIONS

GEWA-C tubes are enhanced condenser tubes for shell-and-tube heat exchangers. They are used in shell-side condensation mainly with safety refrigerants, but also with light hydrocarbons, in the air-conditioning and refrigeration industry. Cooling water is circulated on the tube side.

### BENEFITS

- Increased heat transfer on the shell and tube side
- Advanced overall heat transfer performance
- Substantial reduction of heat exchanger size and refrigerant charge
- Significant improvement in life cycle energy efficiency

### PRODUCT TYPES

#### Tailor-made for specific applications

- C5 For highest performance and efficiency
- C+SL/LW Weight optimized, drop-in applications
- CLF For seawater/ increased fouling applications
- CPL For high fouling applications

Available in a wide range of materials:



Copper | Copper Nickel | Carbon Steel | Stainless Steel | Titanium

### FABRICATION AND CERTIFICATION

- DIN EN 12452 / EN 10216-2
- DIN 17679 and VdTÜV 420/5 (for use in pressure vessels)
- ASTM B 359/ASME SB-359/ASTM A-498

Certification for use in pressure vessels has been obtained with AD-Merkblatt W0/TRD 100.

Certificates 3.1 / 3.2 according to DIN EN10204

### ThermalS | DESIGN SOFTWARE

Wieland Thermal Solutions provides thermal design software to optimise your enhanced heat exchangers.

More information on our ThermalS online platform on [www.wieland-thermalsolutions.com/ThermalS](http://www.wieland-thermalsolutions.com/ThermalS).

# GEWA-C CONDENSER TUBES

## RANGE OF AVAILABLE DIMENSIONS

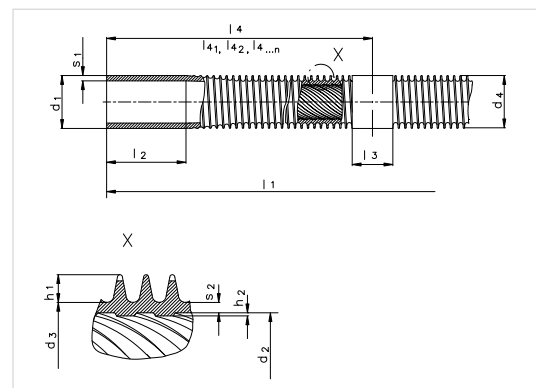
Tube	Material	Plain End		Finned Section				Approximate Weight <sup>1)</sup>
		d <sub>1</sub>	s <sub>1</sub>	d <sub>4</sub>	d <sub>3</sub>	s <sub>2</sub>	d <sub>2</sub>	G
		(mm)	(mm)	(mm)	(mm)	(mm)	(mm)	(kg/m)
GEWA-C6H 3/4" x 0.63	K21	19.00	1.12	18.85	16.95	0.63	15.69	0.470
GEWA-C5H 3/4" x 0.63	K21	19.00	1.10	18.85	16.95	0.63	15.69	0.485
GEWA-C5H 3/4" x 0.71	K21	19.00	1.20	18.85	16.95	0.71	15.53	0.520
GEWA-C5H 1" x 0.63	K21	25.45	1.16	25.25	23.35	0.63	22.09	0.680
GEWA-C5H 1" x 0.71	K21	25.45	1.24	25.25	23.35	0.71	21.93	0.715
GEWA-C+SL 3/4" x 0.63	K21	19.00	1.10	18.85	16.95	0.63	15.69	0.468
GEWA-C+SL 3/4" x 0.71	K21	19.00	1.16	18.85	16.95	0.71	15.53	0.495
GEWA-C+SL 3/4" x 0.90	K21	19.00	1.45	18.85	16.95	0.90	15.15	0.630
GEWA-C+LW 1" x 0.71	K21	25.45	1.25	25.25	23.35	0.71	21.93	0.690
GEWA-C+LW 1" x 0.63	K21	25.45	1.20	25.25	23.35	0.63	22.09	0.667
GEWA-CLF 5/8" x 0.63	K21	15.88	1.17	15.8	13.9	0.63	12.64	0.434
GEWA-CLF 5/8" x 0.63	L10	15.88	1.17	15.8	13.9	0.63	12.64	0.434
GEWA-CLF 5/8" x 0.80	K21	15.88	1.40	15.8	13.9	0.80	12.3	0.500
GEWA-CLF 5/8" x 0.80	L10	15.88	1.40	15.8	13.9	0.80	12.3	0.500
GEWA-CLF 3/4" x 0.71	K21	19.00	1.30	18.85	16.95	0.71	15.53	0.590
GEWA-CLF 3/4" x 0.90	K21	19.00	1.55	18.85	16.95	0.90	15.15	0.671
GEWA-CLF 3/4" x 0.71	L10	19.00	1.35	18.85	17.15	0.71	15.73	0.590
GEWA-CLF 3/4" x 0.71	L30	19.00	1.35	18.85	17.15	0.71	15.73	0.590
GEWA-CLF 3/4" x 0.90	L10	19.00	1.55	18.85	17.15	0.90	15.35	0.669
GEWA-CLF 3/4" x 0.90	CS	19.00	1.55	18.85	17.15	0.90	15.35	0.587
GEWA-CLF 3/4" x 0.90	S76	19.00	1.55	18.85	17.15	0.90	15.35	0.625
GEWA-CLF 3/4" x 1.00	L30	19.00	1.65	18.85	17.15	1.00	15.15	0.699
GEWA-CLF 1" x 0.89	L10	25.45	1.55	25.25	23.55	0.89	21.77	0.921
GEWA-CPL 3/4" x 0.90	K21	19.00	1.35	18.85	17.05	0.90	15.25	0.620
GEWA-CPL 3/4" x 0.90	L10	19.00	1.35	18.85	17.05	0.90	15.25	0.620

1) weight for tubes without unfinned intermediate parts  
Low pressure version on request

Tube Material		
Wieland Code	ISO Code	UNS Code/ ASTM Code
K21	Cu-DHP	C12200
L10	CuNi10Fe1Mn	C70600
L30	CuNi30Mn1Fe	C71500
S76	CuZn20Al2As	C68700
CS	P235GH	A179

Other materials on request

Length Tolerances	
l <sub>1</sub>	Length Tolerances
< 2000	+ 2 mm
2000–8000	+ 1 ‰



For further information please contact

### Wieland-Werke AG | Thermal Solutions

Andreas Knoepfler

Phone: +49 731 944 2892

Email: andreas.knoepfler@wieland.com

[WIELAND-THERMALSOLUTIONS.COM](http://WIELAND-THERMALSOLUTIONS.COM)